

Injection System SW1200

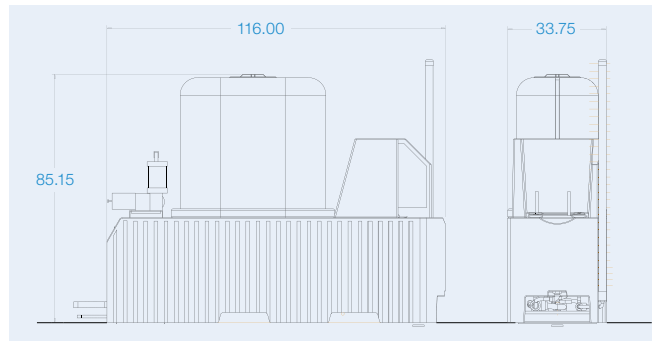


Used for very large ski areas, the 1200 Liter Snomax® Injection System is the largest fully automated injection system available. The tank and frame are uniquely constructed for simple installation and maintenance in any pump house. Though this system is fitted with a P200 injection pump, it is possible to increase the capacity of the system with the P400 injection pump option.

Approx. Weight	1000 lbs
Tank Dimensions (Cylindrical)	Not Standard
Overall Dimensions	86" H x 116" L x 34" W
Metering Pump	Hydracell P200 (standard) Hydracell P400 (optional)
Capacity	see attached table
Max Pressure	1000 psi
Motor	1 HP
Electrical Specs	60 Hz, 15 Amp
Mix Pump	Price Centrifugal Pump
Capacity	100 GPM @ 10' H
Motor	1 HP
Electrical Specs	1 PH, 60 Hz, 15 Amp

Injection system needs a 110 Volt, 30 amp dedicated circuit with a L530-R twist-lock outlet.

...all Snomax®-Systems can be made with **220V** upon request!



MAXIMUM FLOW (mL/min) AT DESIGNATED PRESSURES

	Drive Freq. (Hz)	100 psi	250 psi	500 psi	1000 psi	Pump RPM	Motor RPM
P200	60	2536	2519	2477	2350	360	1800
	120	5093	5063	4991	4764	720	3600
P400	60	7647	7628	7596	7476	360	1800
	120	15331	15299	15230	14997	720	3600



PRODUCT INJECTION SYSTEM SW1200



600 000 009

INJECTION SYSTEM 1200L W/P200



600 000 002

INJECTION SYSTEM 1200L W/P400



600 000 007

INJECTION SYSTEM 1200L W/P200 TOUCH

OPTIONS



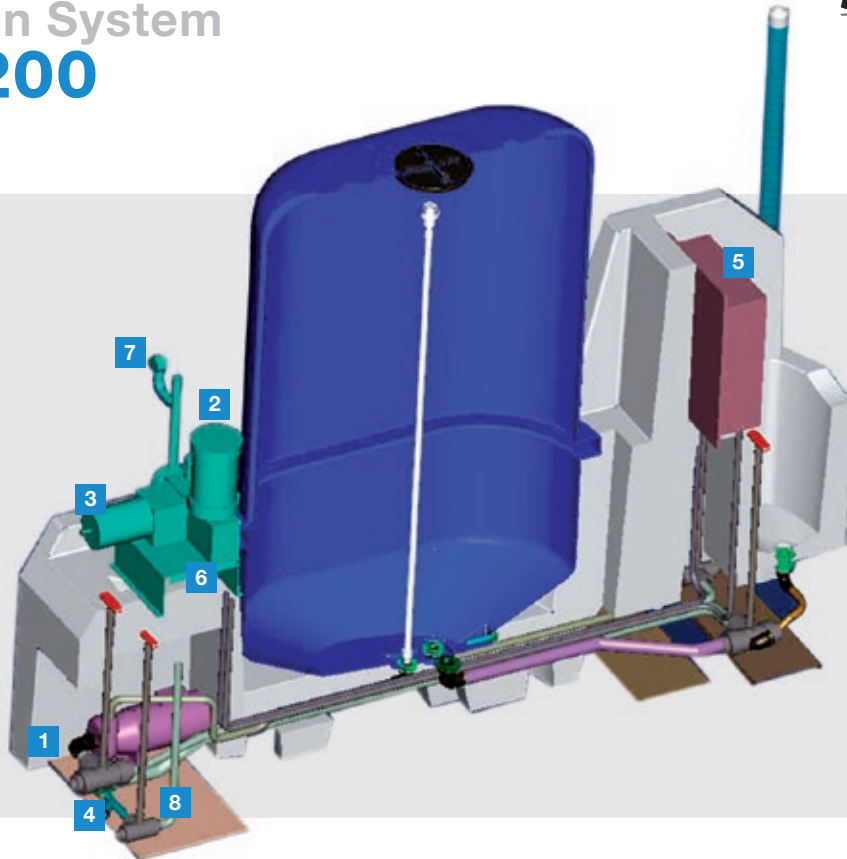
600 800 044

P400 METERING PUMP 80.57 GPH COMPLETE



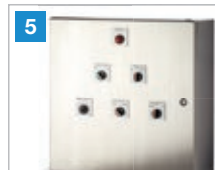
Injection System SW1200

Snomax®
INTERNATIONAL



1 Price Centrifugal Mix Pump

An external, centrifugal pump used for multiple functions. The mix pump is to be used to prepare the initial Snomax® solution. It also runs throughout operation to maintain a well mixed solution.



5 Control Panel

The control panel features both manual controls and fully automated controls when connected to a flow meter. Automatic operation allows for hours of unattended operation in varying flow conditions.



2 Inverted duty 1 HP Motor

3-Phase motor with 1750 RPM and 1 HP capacity. Suitable for wet or humid locations with lots of low speed start up torque.



6 Vacon X Series VFD

Variable frequency drive used to automatically vary the injection rate by on-board, easy-to-use controls or remotely by 4-20 mA flow signal.



3 P200 Injection Pump

Handles a large range of operating pressures and extremely simple to maintain. A reliable 3-piston pump that delivers a uniform flow of Snomax® at any speed.



7 Automation

Instead of manually opening and closing the valves for the bleed and injection lines, it is possible to operate your system remotely by installing automated ball valves on your 800 L system.



4 Y-Strainer

Y-strainer between valves cleans any particulates that may clog the injection pump check valves.



8 Basket Strainer

Before the Snomax® solution enters the injection pump, the fluid is passed through a basket strainer to remove particulates that may clog the injection pump check valves.



MAJOR COMPONENTS OF INJECTION SYSTEM SW1200



600 800 034

MIX PUMP COMPLETE - PRICE PUMP



600 200 007

MOTOR 1 HP 4P 230V 56C TENV



600 800 042

HYDRA-CELL METERING PUMP P200 COMPLETE



600 500 010

GF Y-STRAINER 1" SOCKET



600 200 019

ELECTRICAL PANEL SINGLE INJECTION MANUAL



600 200 005

VACON X SERIES VFD-1HP 110V INPUT



600 200 018

BIDIRECTIONAL BALL VALVE POWER



600 500 032

PVC BASKET STRAINER 1" SXT

