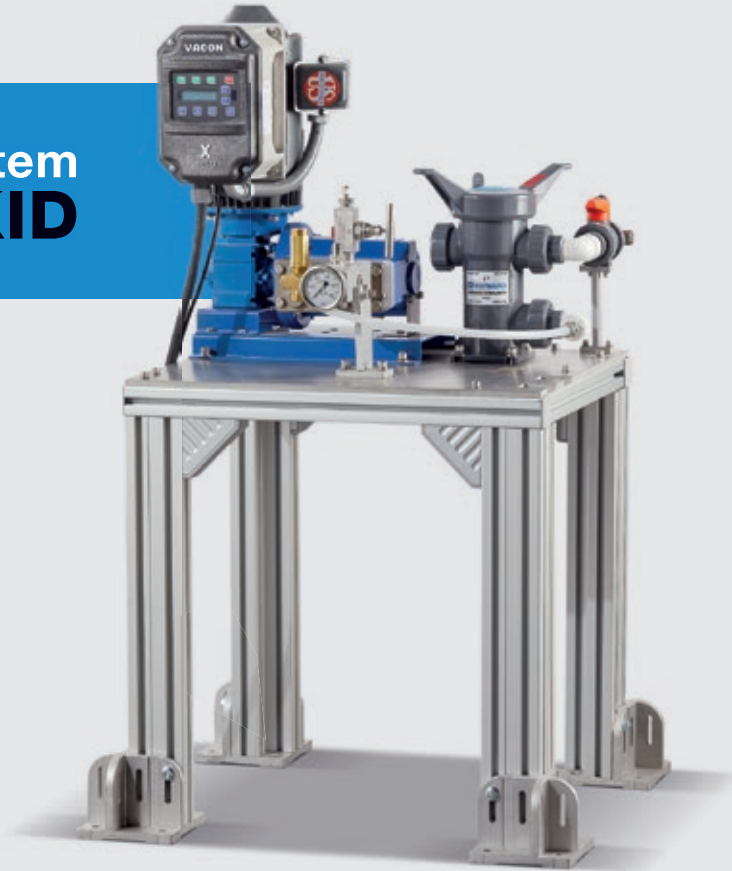


Injection System PUMP SKID

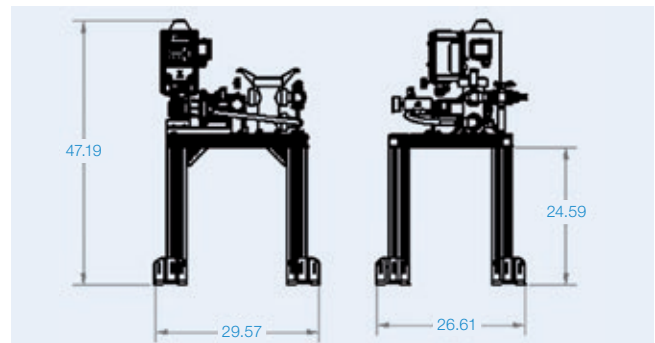


The new P200 Pump Skid is an efficient design used to replace your existing Snomax® injection pump and controls. The system consists of a basket strainer, 3-piston diaphragm metering pump, 25 feet of high-pressure line with an injection tip, low-pressure input piping with fittings, and a variable frequency drive to effortlessly and remotely control the injection pump output. With the small foot print, the P200 Pump Skid is extremely easy to maneuver, install, and maintain. For more information about upgrading your Snomax® injection system with a P200 Pump Skid, contact your nearest Snomax® representative.

Approx. Weight	200 lbs
Tank Dimensions (Cylindrical)	N/A
Overall Dimensions	48" H x 27" L x 30" W
Metering Pump	Hydracell P200 (standard) Hydracell P400 (optional)
Capacity	see attached table
Max Pressure	1000 psi
Motor	1 HP
Electrical Specs	60 Hz, 15 Amp

Injection system needs a 15 amp dedicated circuit with a standard 110 volt 2 gang outlet.

...all Snomax®-Systems can be made with **220V** upon request!



MAXIMUM FLOW (mL/min) AT DESIGNATED PRESSURES

	Drive Freq. (Hz)	100 psi	250 psi	500 psi	1000 psi	Pump RPM	Motor RPM
P200	60	2536	2519	2477	2350	360	1800
	120	5093	5063	4991	4764	720	3600
P400	60	7647	7628	7596	7476	360	1800
	120	15331	15299	15230	14997	720	3600



PRODUCT PUMP SKID



600 000 012

PUMP SKID W/P200, 110V DRIVE



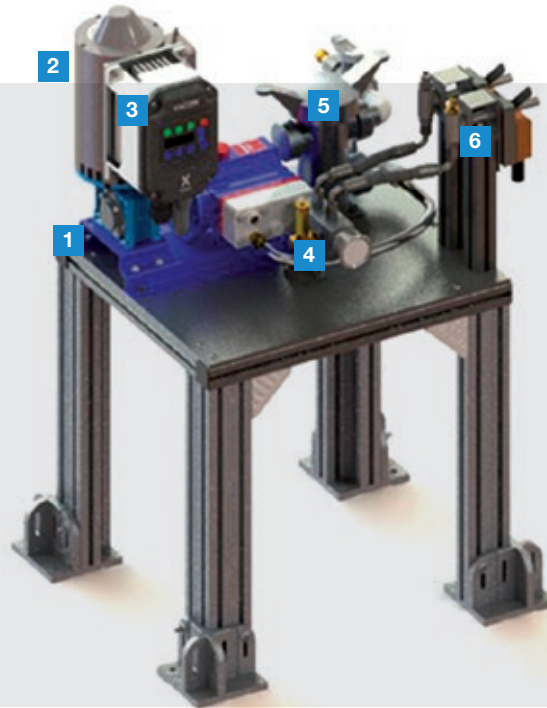
600 000 015

PS W/P200, 110V DRIVE - AUTOMATED BV



Injection System PUMP SKID

Snomax®
INTERNATIONAL



1

P200 Injection Pump

Handles a large range of operating pressures and extremely simple to maintain. A reliable 3-piston pump that delivers a uniform flow of Snomax® at any speed.



5

Basket Strainer

Before the Snomax® solution enters the injection pump, the fluid is passed through a basket strainer to remove particulates that may clog the injection pump check valves.



2

Inverted duty 1 HP Motor

3-Phase motor with 1750 RPM and 1 HP capacity. Suitable for wet or humid locations with lots of low speed start up torque.



6

Automation (Optional)

Instead of manually opening and closing the valves for the bleed and injection lines, it is possible to operate your system remotely by installing automated ball valves on your 800 L system.



3

Vacon X Series VFD

Variable frequency drive used to automatically vary the injection rate by on-board, easy-to-use controls or remotely by 4-20 mA flow signal.



4

Manifold Block

Located on the outlet of the injection pump, the manifold block serves to regulate operating pressure with a pressure gauge, bleed valve, and pressure release valve.



MAJOR COMPONENTS OF PUMP SKID P200



600 800 042

HYDRA-CELL METERING PUMP P200 COMPLETE



600 200 018

BIDIRECTIONAL BALL VALVE POWER



600 200 007

MOTOR 1 HP 4P 230V 56C TENV



600 200 005

VACON X SERIES VFD-1HP 110V INPUT



600 700 025

AL MANIFOLD BLOCK-SYSTEMS



600 500 032

PVC BASKET STRAINER 1" SXT

