

# Injection System P800

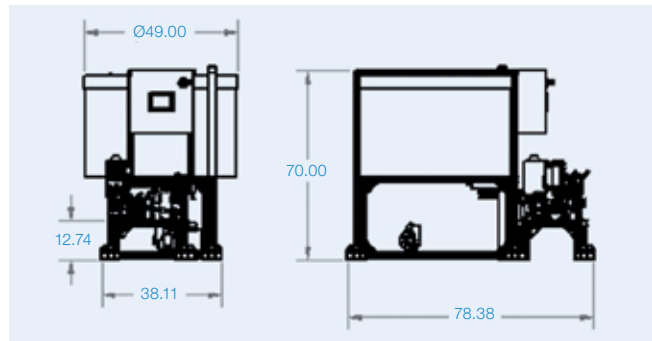


With full automation being the standard, the P800 Snomax® Injection System is best used for larger ski areas. The tank is constructed of tough cross linked polypropylene outer shell and a rugged polyethylene insulated foam liner. The centrifugal mixing pump operates on a timer and makes mixing Snomax® simple and efficient for a well mixed, even delivery of Snomax® into the snowmaking water.

<b>Approx. Weight</b>	840 lbs
<b>Tank Dimensions (Cylindrical)</b>	36" H x 49" Dia.
<b>Overall Dimensions</b>	70" H x 79" L x 49" W
<b>Metering Pump</b>	Hydracell P200 (standard) Hydracell P400 (optional)
<b>Capacity</b>	see attached table
<b>Max Pressure</b>	1000 psi
<b>Motor</b>	1 HP
<b>Electrical Specs</b>	60 Hz, 15 Amp
<b>Mix Pump</b>	Price Centrifugal Pump
<b>Capacity</b>	100 GPM @ 10' H
<b>Motor</b>	1 HP
<b>Electrical Specs</b>	1 PH, 60 Hz, 15 Amp

*Injection system needs a 110 Volt, 30 amp dedicated circuit with a L530-R twist-lock outlet.*

...all Snomax®-Systems can be made with **220V** upon request!



## MAXIMUM FLOW (mL/min) AT DESIGNATED PRESSURES

	Drive Freq. (Hz)	100 psi	250 psi	500 psi	1000 psi	Pump RPM	Motor RPM
<b>P200</b>	60	2536	2519	2477	2350	360	1800
	120	5093	5063	4991	4764	720	3600
<b>P400</b>	60	7647	7628	7596	7476	360	1800
	120	15331	15299	15230	14997	720	3600



## PRODUCT INJECTION SYSTEM P800



**600 000 010**

INJECTION SYSTEM P800 W/P200



**600 000 011**

INJECTION SYSTEM P800 W/P400

## OPTIONS



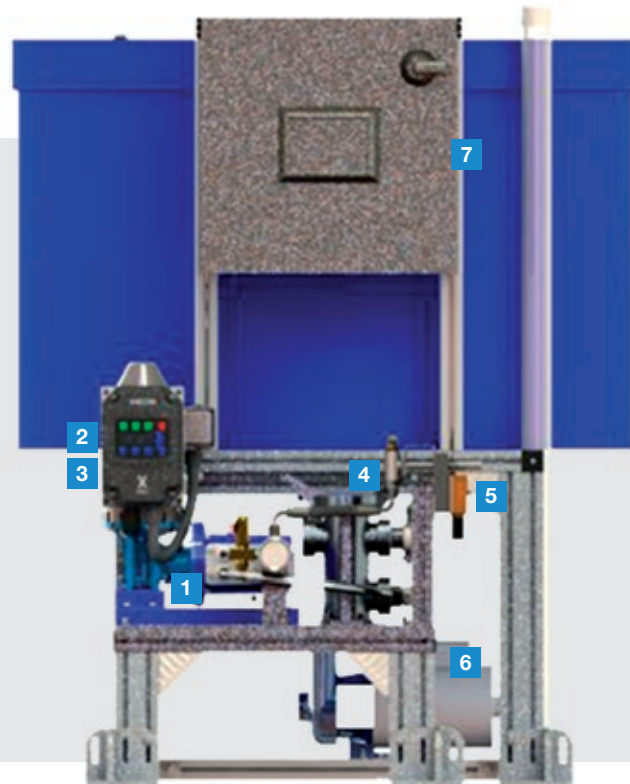
**600 800 044**

P400 METERING PUMP 80.57 GPH COMPLETE



# Injection System P800

**Snomax®**  
INTERNATIONAL



1

### P200 Injection Pump

Handles a large range of operating pressures and extremely simple to maintain. A reliable 3-piston pump that delivers a uniform flow of Snomax® at any speed.



5

### Automation

Instead of manually opening and closing the valves for the bleed and injection lines, it is possible to operate your system remotely by installing automated ball valves on your 800 L system.



2

### Inverted duty 1 HP Motor

3-Phase motor with 1750 RPM and 1 HP capacity. Suitable for wet or humid locations with lots of low speed start up torque.



6

### Price Centrifugal Mix Pump

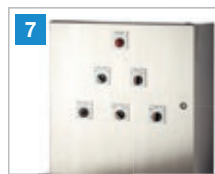
An external, centrifugal pump used for multiple functions. The mix pump is to be used to prepare the initial Snomax® solution. It also runs throughout operation to maintain a well mixed solution.



3

### Vacon X Series VFD

Variable frequency drive used to automatically vary the injection rate by on-board, easy-to-use controls or remotely by 4-20 mA flow signal.



7

### Control Panel

The control panel features both manual controls and fully automated controls when connected to a flow meter. Automatic operation allows for hours of unattended operation in varying flow conditions.



4

### Basket Strainer

Before the Snomax® solution enters the injection pump, the fluid is passed through a basket strainer to remove particulates that may clog the injection pump check valves.



## MAJOR COMPONENTS OF INJECTION SYSTEM P800



**600 200 007**

MOTOR 1 HP 4P 230V 56C TENV



**600 800 042**

HYDRA-CELL METERING PUMP P200 COMPLETE



**600 200 005**

VACON X SERIES VFD-1HP 110V INPUT



**600 500 032**

PVC BASKET STRAINER 1" SXT



**600 200 018**

BIDIRECTIONAL BALL VALVE POWER



**600 800 034**

MIX PUMP COMPLETE - PRICE PUMP



**600 200 019**

ELECTRICAL PANEL SINGLE INJECTION MANUAL

